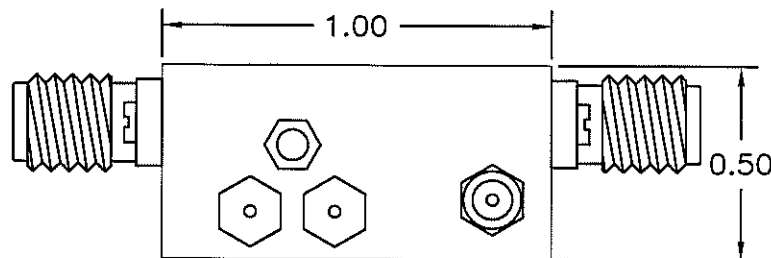
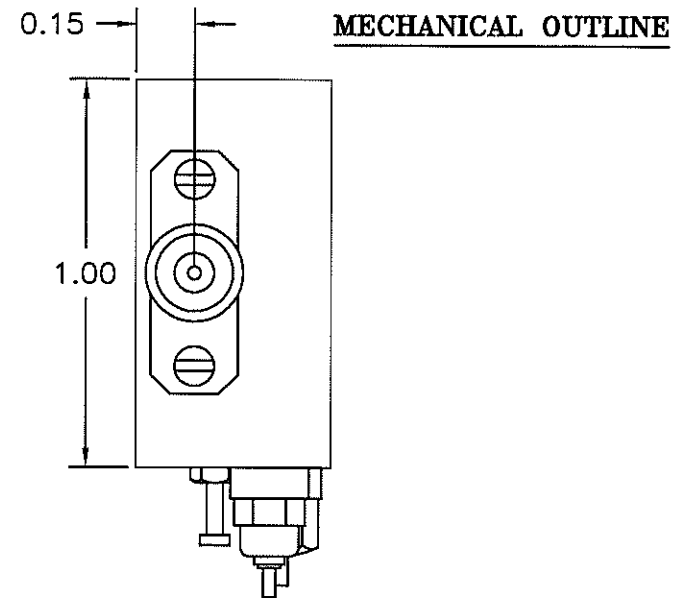
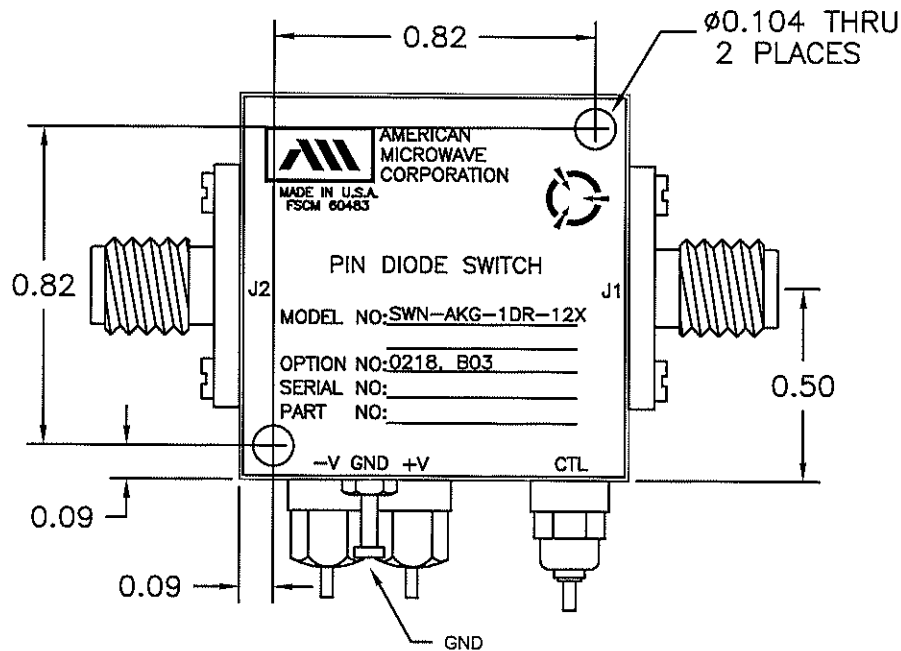


DESCRIPTION

AMC MODEL SWN-AKG-1DR-12X OPTION 0218, B03 IS A REFLECTIVE SINGLE POLE SINGLE THROW SWITCH WITH HIGH SPEED, VERY HIGH ISOLATION, DESIGNED TO OPERATE OVER THE FULL 0.2 TO 18 GHz FREQUENCY RANGE AND HAS A -12 VOLT POWER SUPPLY.



ALL DIMENSIONS ARE IN INCHES
TOLERANCES:
X.XX ±0.020
X.XXX ±0.010

AMERICAN MICROWAVE CORPORATION

7311-G GROVE ROAD
FREDERICK, MARYLAND 21704 USA
TEL: 301-662-4700 FAX: 301-662-4938
WEBSITE: www.americanmicrowavecorp.com
E-MAIL: sales@americanmicrowavecorp.com
ISO 9001:2000 CERTIFIED



APPROVALS		DATE	TITLE			REV.
DRAWN	JCM/P	1/11/08	MECHANICAL OUTLINE			-
CHECKED	LA	1/11/08	SWN-AKG-1DR-12X			-
ISSUED			OPTION 0218, B03			-
			SIZE	FSCM NO.	DWG NO.	
			A	60483	100-7576-2	
			SCALE	N:S	SHEET	2 OF 4

DESCRIPTION

AMC MODEL SWN-AKG-1DR-12X OPTION 0218, B03 IS A REFLECTIVE SINGLE POLE SINGLE THROW SWITCH WITH HIGH SPEED, VERY HIGH ISOLATION, DESIGNED TO OPERATE OVER THE FULL 0.2 TO 18 GHz FREQUENCY RANGE AND HAS A -12 VOLT POWER SUPPLY.

SPECIFICATIONS

- FREQUENCY RANGE:0.2 TO 18 GHz
- INSERTION LOSS:1.0dB TYP., 2.5 dB MAXIMUM
- ISOLATION:60 dB MINIMUM
- VSWR:2.0:1
- RISE TIME:2 nSec MAXIMUM
- FALL TIME:2 nSec MAXIMUM
- DELAY ON:25 nSec MAXIMUM
- DELAY OFF:25 nSec MAXIMUM
- SURVIVAL POWER:1 WATT CW, 50 WATTS PEAK 1 uSec
- CONTROL:TTL LOGIC "0" = OFF
TTL LOGIC "1" = ON
- POWER SUPPLY:+5V @ 60 mA MAXIMUM
-12V @ 15 mA MAXIMUM
- CONNECTORS:
RF:SMA FEMALE
CONTROL:SOLDER PIN

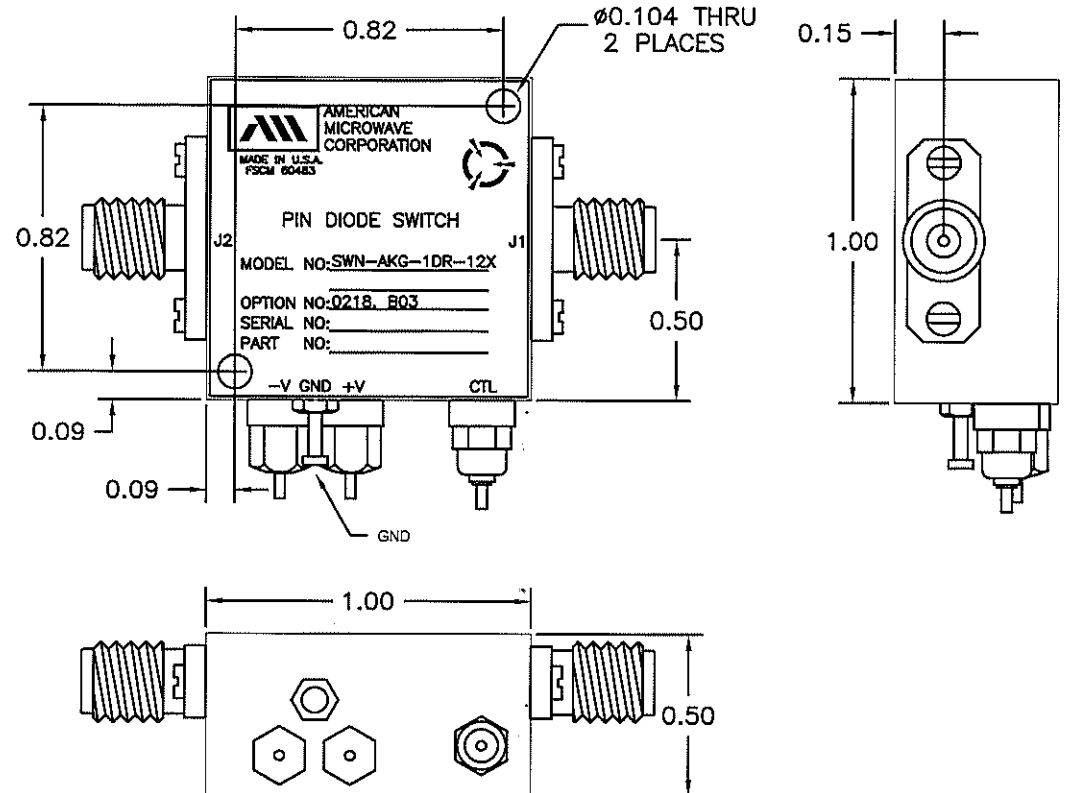
OPTIONS

- 02180.2 TO 18 GHz FREQUENCY RANGE
- B03-12 VOLT POWER SUPPLY

ENVIRONMENTAL RATINGS:

- TEMPERATURE:-55°C TO +85°C (OPERATING)
-65°C TO +125°C (STORAGE)
- HUMIDITY:MIL-STD-202F, METHOD 103B COND. B
- SHOCK:MIL-STD-202F, METHOD 213B COND. B
- VIBRATION:MIL-STD-202F, METHOD 204D COND. B
- ALTITUDE:MIL-STD-202F, METHOD 105C COND. B
- TEMPERATURE CYCLE:MIL-STD-202F, METHOD 107D COND. A

NOTE: SPECIFICATIONS WILL VARY OVER OPERATING TEMPERATURE
NOTE: THE ABOVE SPECIFICATIONS ARE SUBJECT TO CHANGE OR REVISION



ALL DIMENSIONS ARE IN INCHES
TOLERANCES:
X.XX ±0.020
X.XXX ±0.010

ZONE		REV.	DESCRIPTION	DATE	APPROVED
		-	ORIGINAL RELEASE	1/11/08	

AMERICAN MICROWAVE CORPORATION

7311-G GROVE ROAD
FREDERICK, MARYLAND 21704 USA
TEL: 301-662-4700 FAX: 301-662-4938
WEBSITE: www.americanmicrowavecorp.com
E-MAIL: sales@americanmicrowavecorp.com
ISO 9001:2000 CERTIFIED

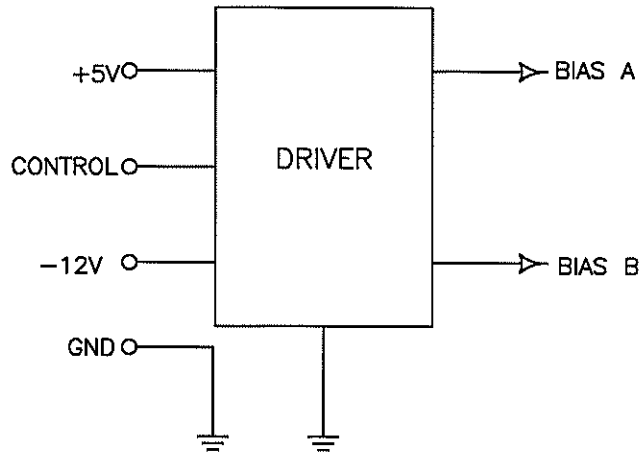


APPROVALS		DATE	TITLE		
DRAWN <i>KMS</i>		1/11/08	PRODUCT FEATURE SWN-AKG-1DR-12X OPTION 0218, B03 0.2-18 GHz, SINGLE POLE SINGLE THROW SWITCH		
CHECKED <i>JA</i>		1/11/08	SIZE	FSCM NO.	DWG NO.
ISSUED			A	60483	100-7576-2
			SCALE N:S	SHEET 1 OF 4	

DESCRIPTION

AMC MODEL SWN-AKG-1DR-12X OPTION 0218, B03 IS A REFLECTIVE SINGLE POLE SINGLE THROW SWITCH WITH HIGH SPEED, VERY HIGH ISOLATION, DESIGNED TO OPERATE OVER THE FULL 0.2 TO 18 GHz FREQUENCY RANGE AND HAS A -12 VOLT POWER SUPPLY.

FUNCTIONAL BLOCK DIAGRAM



BLOCK DIAGRAM



AMERICAN MICROWAVE CORPORATION

7311-G GROVE ROAD
 FREDERICK, MARYLAND 21704 USA
 TEL: 301-662-4700 FAX: 301-662-4938
 WEBSITE: www.americanmicrowavecorp.com
 E-MAIL: sales@americanmicrowavecorp.com
 ISO 9001:2000 CERTIFIED



APPROVALS		DATE	TITLE		
DRAWN		1/11/08	FUNCTIONAL BLOCK DIAGRAM		
CHECKED		1/11/08	SWN-AKG-1DR-12X		
ISSUED			OPTION 0218, B03		
			0.2-18 GHz, SINGLE POLE SINGLE THROW SWITCH		
SIZE	FCM NO.	DWG NO.	REV.		
A	60483	100-7576-2	-		
SCALE N:S			SHEET 3 OF 4		